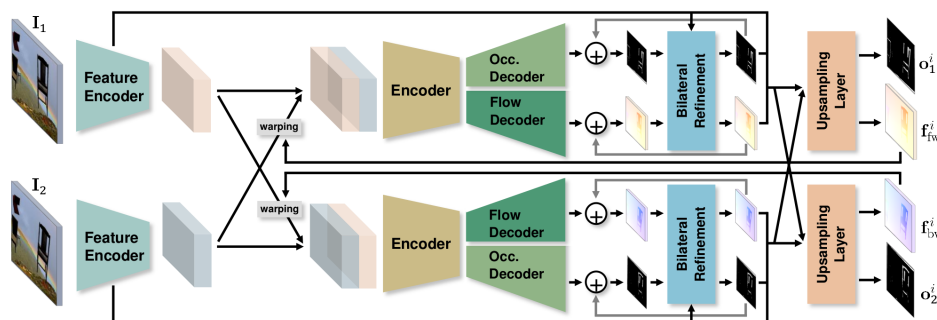


Recent Advances in Computer Vision

Advanced Seminar (Hauptseminar), Summer Term 2021



CNN for Optical Flow Estimation. Source: J. Hur and S. Roth (CVPR 2019).

Description: In recent years there has been enormous progress in the field of computer vision as well as in the closely related areas of image processing and computational photography. Both the quality of the algorithms and the capabilities of the hardware have been improved steadily. This seminar deals with some of the most interesting works that have been published in recent years at important international conferences and in leading scientific journals.

The list of subjects includes

- Shape from Shading
- Multiview and Photometric Stereo
- Optical Flow and Scene Flow
- Image Manipulation
- Variational Methods
- Convolutional Neural Networks

Prerequisites: A mandatory requirement is the attendance of the lecture Computer Vision or the lecture Correspondence Problems in Computer Vision. Papers and talks are in English.

First Meeting: will be announced via e-mail after the registration

Contact: For further questions please contact Prof. Bruhn (bruhn@vis.uni-stuttgart.de).